

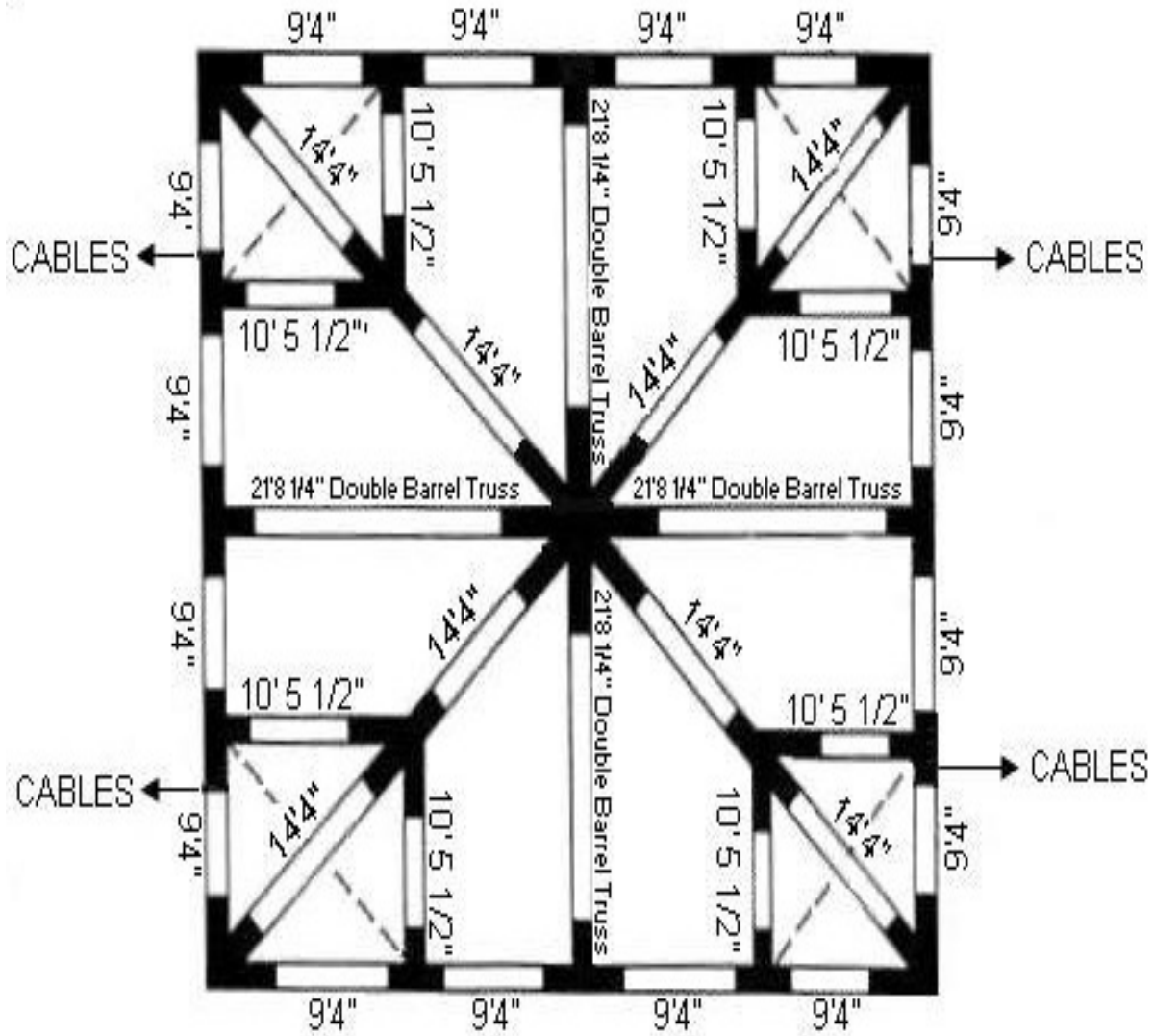


Ohenry Productions Inc.

Frame Tent Parts List

Tents by Ohenry Productions last a lifetime!

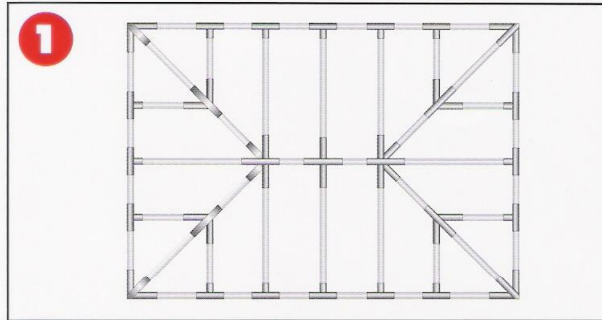
"CLASSIC" 40'X40' FRAME SKETCH



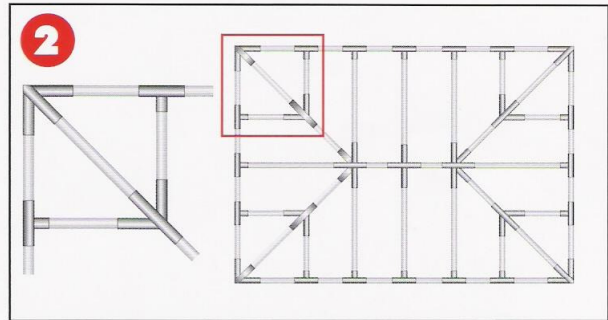
16	9'4" (112") X 2" SIDE BARS	4	STEEL CORNER FITTINGS
8	14'4"(172") X 2" 2-PIECE CORNER RAFTER	1	8-WAY STEEL TOP FITTING CROWN
4	21'8 1/4"(260 1/4") DOUBLE BARREL TRUSS	12	STEEL MID LEG/RAFTER FITTING
8	10'5 1/2"(125 1/2") X 2" CORNER RAFTER SUPPORT	4	CORNER RAFTER Y FITTING (40' and over)
16	7' X 1.75" LEG TOP	16	40" STEEL STAKES
16	5' X 1.75" ADJUSTABLE LEG W/BASE	16	14' OF 1/2" ROPE
4	13'8" CORNER CABLES		

40' WIDE ASSEMBLY INSTRUCTIONS

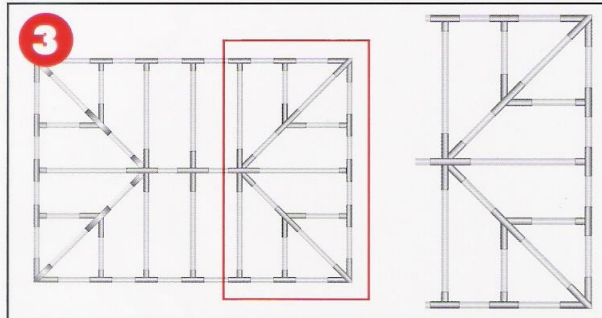
SIX EASY STEPS



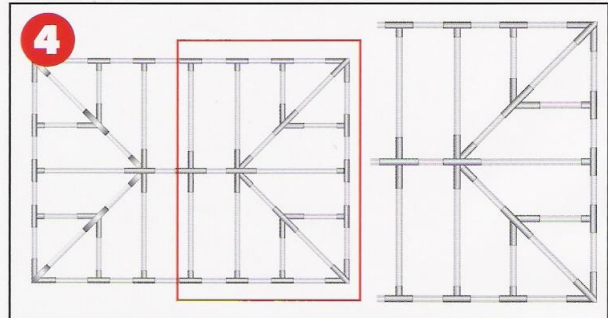
Lay out tubing on a flat surface based on the frame sketch provided.
(Example: 40' x 60')



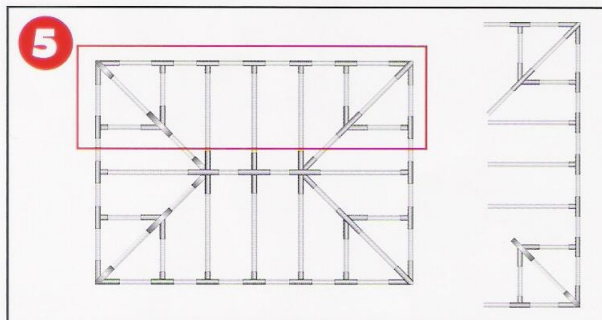
Make all four 1/2 corners to the Y-Fitting and then add corner cables.



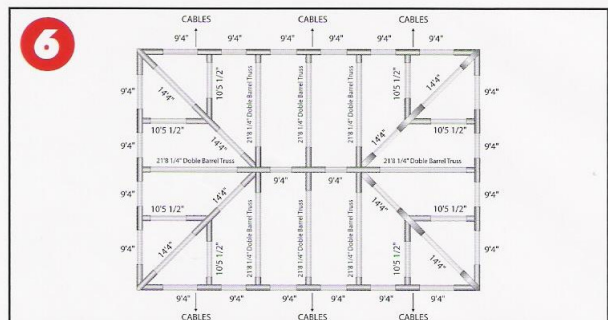
Complete both ends including Double Tube Trusses to the 6-way Top Fitting (8-Way Top Fitting on a 40' x 40'). When top portion of frame is complete and still on the ground, place cover on loosely over frame. If expandable, do the lacing once both ends are in place.



Add Mid Truss Double Tube and attach to the 4-Way Top Expansion Fitting. Then add Top Bar and connect to the 6-Way Crown. Continue until tent is complete.



With the cover on the frame loosely, add legs on to the longer side and then do the same the opposite side. Last, put in the remainder of the legs.



Finally, attach cross support cables across the center to the mid-leg rafter fitting. Then attach appropriate anchoring and secure cover tightly with straps & buckles.